

60 .The Rear-view mirror with reverse-assistant lamp:

- 60.1 Effective date and Scope: From 2010/1/1, the rear-view mirror with reverse-assistant lamp installed on categories of M and N vehicles shall comply with this regulation.
- 60.2 The Rear-view mirror with reverse-assistant lamp: means the exterior rear view –mirror which is equipped with reverse-assistant lamp on its lower edge to illuminate the vehicle’s rear area for providing the driver to recognize the ground situation. The reverse-assistant lamp shall not be switched on unless the headlamp or reversing lamps are lit.
- 60.3 The principles for regarding applicable variants and scope of the rear-view mirror with reverse-assistant lamp are as below:
 - 60.3.1 Brand name
 - 60.3.2 The characteristics of the optical system (levels of intensity, light distribution angles, category of filament lamp, light source module, etc.), however, the variant is not regarded to change if the bulbs or filter’s color changes.
 - 60.3.3 The inclusion of components capable of altering the optical effects by reflection, refraction, absorption and/or deformation during operation shall be the same.
- 60.4 Photometric measurements: Within the field of light distribution schematically shown as a grid in Figure 1, the light pattern shall be substantially uniform. The intensities shall be measured with the filament lamp(s) continuously alight, the luminosity measured at single point of each photometric measurements shall not exceed : 300 candelas in directions in or above the horizontal line, or 600 candelas between horizontal line and 5 degrees below.
- 60.5 Trichromatic coordinates: the light emitted shall be white as defined in “The installation of lighting and light-signaling devices” of these Directions.
- 60.6 Test conditions for each measuring
 - 60.6.1 In case of a lamp with replaceable light source, if not supplied by an electronic light source control gear or a variable intensity control, uncolored standard filament lamp of the category prescribed for the device shall be used and the voltage necessary to produce the reference luminous flux required for that category of filament lamp shall be supplied.
 - 60.6.2 For lamps equipped with non-replaceable light sources (filament lamps and others) : Shall be measured at 6.75 V, 13.5 V or 28.0 V, respectively according to specs of lamps.
 - 60.6.3 In the case of a system that uses an electronic light source control gear, being part of the lamp, the voltage applying at the input terminals of the lamp declared by the manufacturer or, if not indicated, shall be 6.75 V, 13.5 V or 28.0 V respectively.
 - 60.6.4 In the case of a system that uses an electronic light source control gear, not being part of the lamp the voltage declared by the manufacturer shall be applied to the input terminals of the lamp

Top

The official directions are written in Chinese, this English edition is for your reference only.

60 The Rear-view mirror with reverse-assistant lamp:

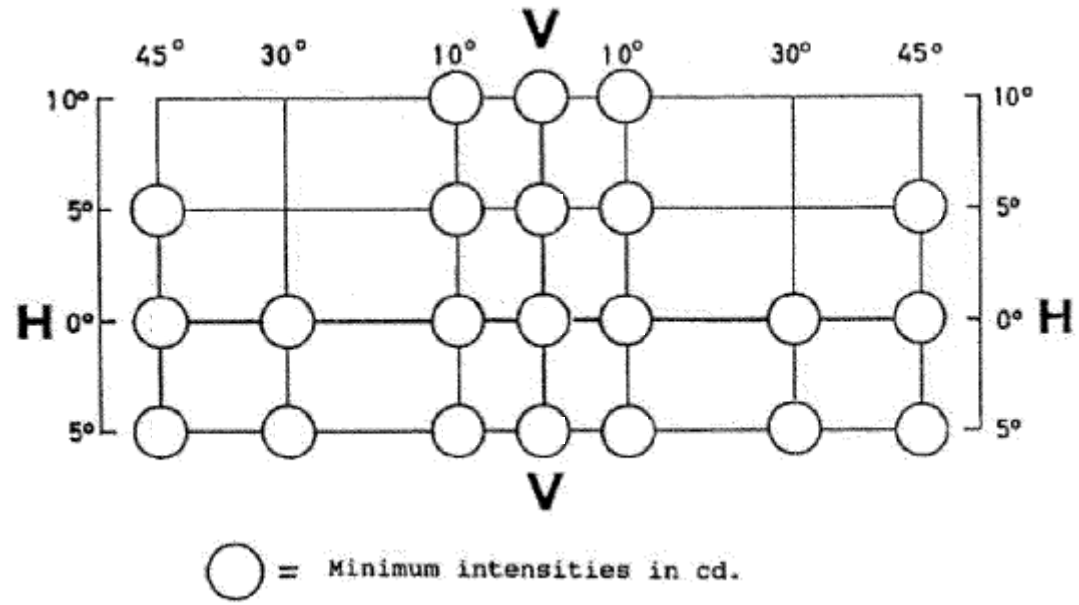


Table 1. Light distribution requirements

The official directions are written in Chinese, this English edition is for your reference only.

60 The Rear-view mirror with reverse-assistant lamp: